

The IP67 compatible LED lights for harsh environments

IQ Series

Ring Light : Red



Ring Light : White



Bar Light : Red



Bar Light : White



Flat Light : Red



Flat Lights : White



Specifications

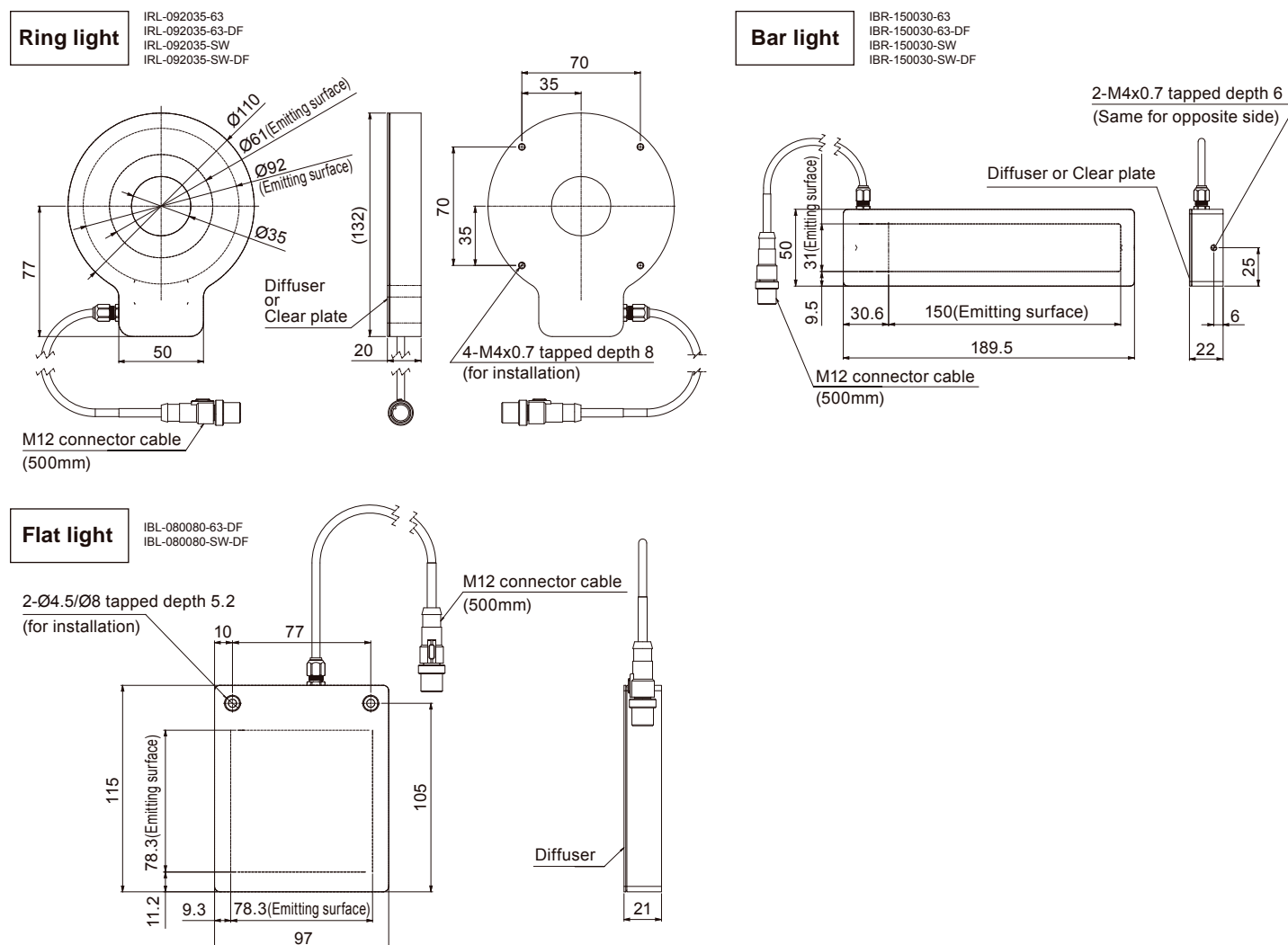
Common Specifications

Input Voltage	24 V DC
Cable length	0.5 m
Input Connector	M12 male 4 pins connector
Polarity & Signal	1: + (Brown) / 2: NC(White) / 3: - (Blue) / 4: Signal (Black)
ON/OFF	ON: 0V, OFF: 24V
Wavelength(typ.)	Red: 630 nm, White: 6,000 K
Operating Temperature and Humidity	Temperature: 0 to 40°C, Humidity: 20% to 100% , IP67
Storage Temperature and Humidity	Temperature: -20 to 60°C, Humidity: 20% to 85% RH (with no condensation)
Cooling Method	Natural air cooling

Model Specifications

Type	Model	LED Color	Type of lighting	Power Consumption (max.)	Weight (max.)
Ring light	IRL-092035-63	Red	Direct	6 W	400 g
	IRL-092035-63-DF		Diffused		
	IRL-092035-SW	White	Direct	7 W	
	IRL-092035-SW-DF		Diffused		
Bar light	IBR-150030-63	Red	Direct	6 W	440 g
	IBR-150030-63-DF		Diffused		
	IBR-150030-SW	White	Direct	8 W	
	IBR-150030-SW-DF		Diffused		
Flat light	IBL-080080-63-DF	Red	Diffused	8 W	420 g
	IBL-080080-SW-DF	White		12 W	

Dimensions Diagrams (Unit: mm)



NOTICE

- To ensure proper and safe use of the product, please read Instruction Guide before using the product.
- For product improvement, specifications and designs are subject to change without notice.